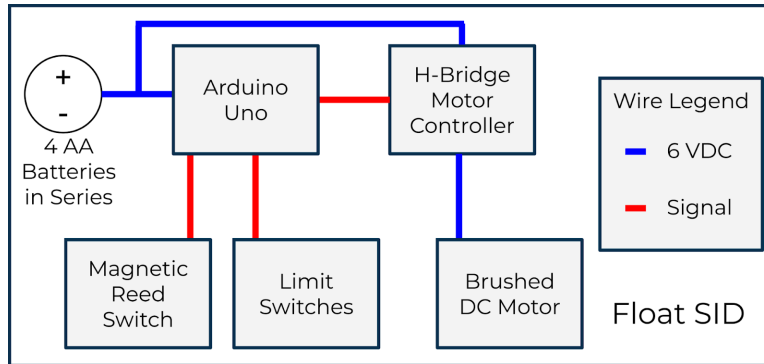




System Integration Diagrams



Non-ROV Device (Vertical Profiling Float) Electrical SID