

MIR
robotics
ALEXANDRIA, EGYPT

2024 | SPEC SHEET

Under the Supervision of

Prof. Dr./ Hassan Warda

- Mentors**
- Mohammed abo donia
 - Mohamed Akram
 - Abdelrhman Mohamed
 - Ibrahim Elghotmy
 - Ragai Awad
 - Hossam Elshamy Islam
 - Bassioni
 - Hytham Ahmed

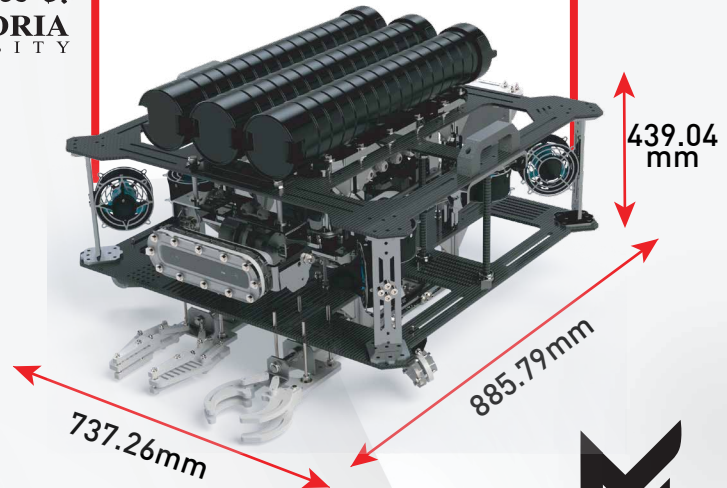
- 24' Marwan Mohamed / CEO
- 24' Mohab Mohamed / CFO
- 24' Youssef Abbas Machine Learning / CTO
- 24' Youssef Mohammed Electrical / CTO / ESG
- 24' Maryam Abdou Electrical / R&D
- 24' Youssef Abdelnafea Pilot / Mechanical / CTO
- 24' Ibrahim Mohamed Mechanical / R&D
- 24' Nour Eldin Mohammed Media and Marketing / Leader
- 24' Yara Mohamed Electrical Eng*
- 25' Abdullah Milad Pilot / Electrical / Leader
- 25' Hassan Tamer Electrical / Vice Leader
- 25' Serag Emad Mechanical / Leader
- 25' Abdelrahman Mohamed Electrical Eng*
- 25' Mahmoud Ismail Electrical Eng*
- 25' Ali Tarek Electrical Eng*
- 25' Zeyad Ashraf Mechanical Eng*
- 26' Mohamed Tarek Software / Leader
- 26' Sama Abdou Electrical Eng*
- 26' Marwan Mahmoud Electrical Eng*
- 26' Nour ElDeen Shalby Electrical Eng*
- 26' Asser Ossama Electrical Eng*
- 26' AbdElRahman Osama Electrical Eng*
- 26' Ayman Muhammed Mechanical Eng*
- 26' Mohamed Ashraf Mechanical Eng*
- 26' Abdelrahman Elsayed Media and Marketing*
- 27' Karim Hany Electrical Eng*
- 27' Mariam Hossam Electrical Eng*
- 27' Ahmed Mohamed Mechanical Eng*
- 27' Nourhane Hisham Mechanical Eng*
- 27' Osama Mohammed Mechanical Eng*
- 27' Loay Mohamed Media and Marketing*

(*) For New Member



جامعة الإسكندرية
ALEXANDRIA
UNIVERSITY

Total cost: 8272 \$
Participation: 10th year Work
hours: 4650 hrs Distance
Travelled: 9710 km



Weight : 32 Kg



Safety Features

- Cooler for the SBC
- Fuses
- Deburred Edges
- Kill Switch
- Powermeter
- Shrouds

Special Features

- ROS with Jetson
- Machine Learning
- Multiple Mechanisms
- ZED2 Camera
- CARBON FIBER BODY
- PID System
- 80m Depth
- 6 DOF