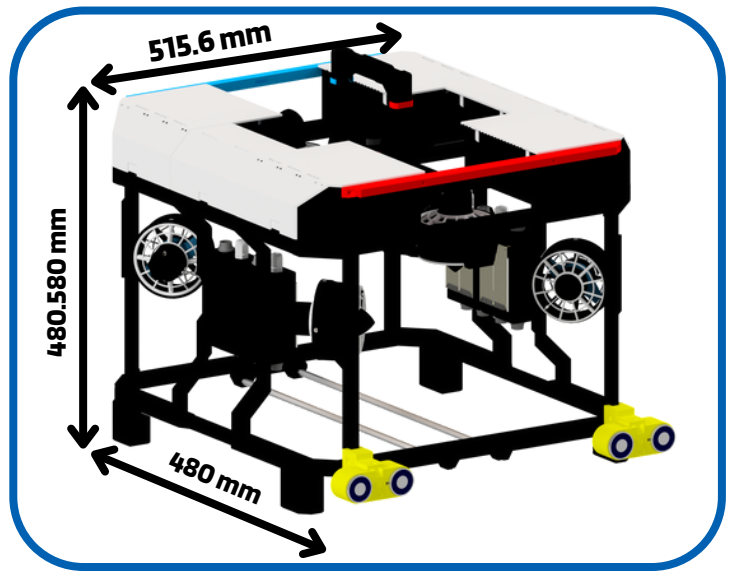


# FISH LOGIC SIREN



## MACAU ANGLICAN COLLEGE

<b>School name</b>	Macau Anglican College
<b>Company name</b>	Fish Logic
<b>Region</b>	Macau SAR
<b>Distance travelled to the competition</b>	12,000km (Macau Anglican College to Longmont)
<b>History of MATE</b>	Returning
<b>Range of Grade Levels</b>	Grade 7 to Grade 12
<b>Mentors</b>	Mr. Andy Tsui and Mr. Ryan Ip

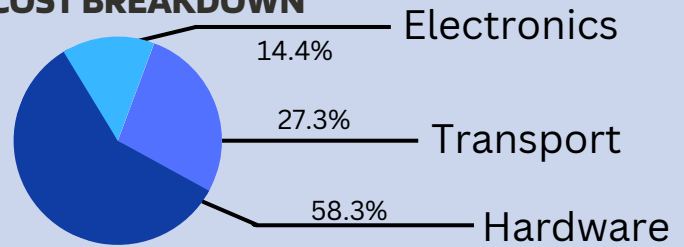


**Weight** 10.91 kg

**Total Cost** 4071.66 USD

**Time Spent** 4490 hrs

### COST BREAKDOWN



### SAFETY FEATURES

- Notification LED
- Light
- No Sharp Edges
- Lifting Handle
- Fuse
- Kill Switch
- Thruster Shroud

### SPECIAL FEATURES

- Modular
- Flexible Configuration
- Hot Swap Manipulators
- Front and Rear Interchangeable
- Standard Mounting System

### Members

Kevin Sio Ka Wun	CEO, CTO
Kimi Wong Wang Hei	CFO, COO, Head of Fabrication
Charles Hung	Head of Mechanical, Safety Officer
Aiden Leong Mathew Chin Pui	Pilot, Mechanical Engineer
Matthew Cheng Lok In	Head of Software,
Hou Fong Chan	Software Engineer
Alison Wong Sin Lok	Mechanical Engineer
Yoanna Lei Un Lam	Fabricator
Stephanie Ma Man Tong	Fabricator
Daniel Lei Man Tat	Mechanical Engineer
Isla Cheong Yin Wan	Graphics Designer
Verónica Carvalho	Fabricator
Grace Lin Cheuk Yin	Mechanical Engineer
Onching Lam	Graphics Designer
Wells Lei Hio Cheng	Fabricator
Elli Lou Ngai Ieng	Mechanical Engineer
Eric Leong Chon Wai	Mechanical Engineer
Johnson Che Chin Hou	Mechanical Engineer
Stacy Wong Hoi Tong	Fabricator
Tin Nam Lei	Mechanical Engineer
Marcus Mak Tsz Yin	Mechanical Engineer

### Years of joining

### Working Hours

5	550
3	550
2	450
1	220
1	220
3	120
3	150
3	260
3	150
2	110
3	120
1	140
1	220
3	100
1	60
1	60
1	220
1	140
1	210
1	220
1	220

