

System Integration Diagram of Non-ROV Device

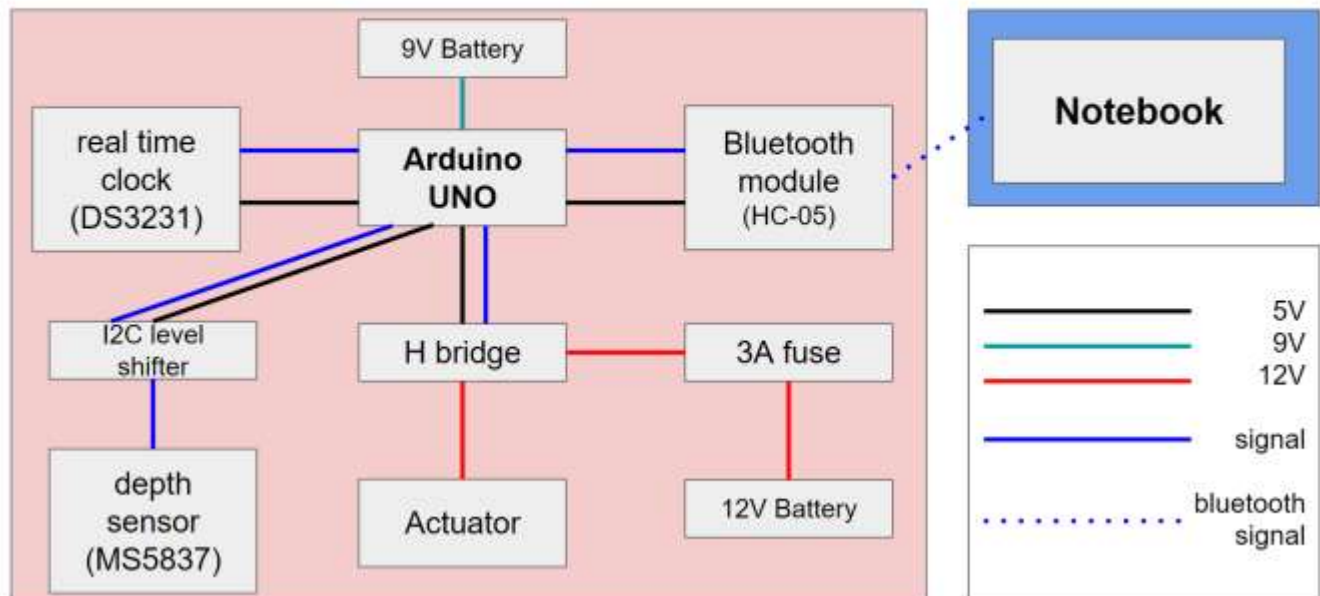
School:	Kwok Tak Seng Catholic Secondary School
Company Name:	Kwok Tak Seng Inc.
Team Name:	KTS - WaterLoong
City:	Hong Kong SAR, China
Team Adviser:	Mr. Lee Siu Fung



Non-ROV Device: MATE Vertical Profiling Float - SID

Devices-vertical profiling float Electronic Enclosure

Surface side



Non-ROV System Integration Diagram – Independent Temperature sensor

