

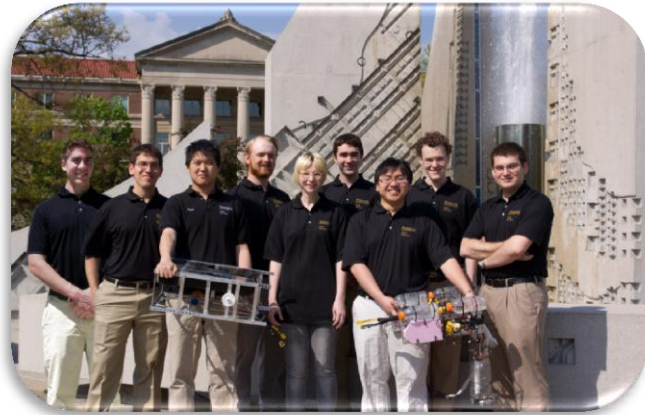


Purdue University IEEE ROV Team
West Lafayette, Indiana, USA

Distance Traveled: 1430 km

Year Competing: 3rd Year
(4th Place in 2010)

Range of Grade Levels:
Sophomore to Senior



(Names below listed in the same order of the photo above)

Name	Jack McCormack	Jason Gary	Kuan-Po Chen	Robert Swanson	Danielle Clifford	Clayton Kleppinger	Clement Lan	Lawrence Goldstein	Seth Baklor
Major	Mechanical Engineering	Computer Graphics	Electrical Engineering	Electrical Engineering	Professional Writing	Electrical Engineering	Computer Engineering	Mechanical Engineering	Industrial Engineering
Role	Mechanical	Graphics & Poster	Electrical	Electrical	Technical Writing	Electrical	Co-Captain & Software	Mechanical	Team Captain

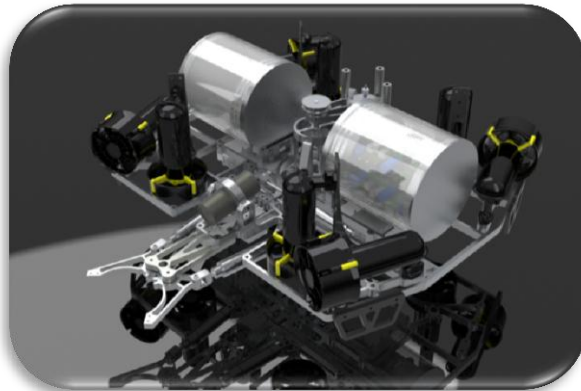
Mentor: None

Bold indicates the 'Houston Crew'

ROV *Hybris*



Custom Electronics System



SolidWorks Render

Total Cost of ROV: \$14662.68

Total Weight in Air: 15.8 kg

Primary Materials Used: aluminum, stainless steel, delrin, high-density polyethylene, polycarbonate

Overall Dimensions: 62cm x 58cm x 21cm

Special Features: immense power to weight ratio, uni-body aluminum frame, one-dive to finish entire mission, single manipulator for simplicity, entirely custom onboard electronics system and software

Safety Features: shrouds on all propellers, plastic propellers, all electrical wiring sealed with liquid electrical tape and heat shrink, fuses throughout electrical system, emergency quick release pneumatic valve