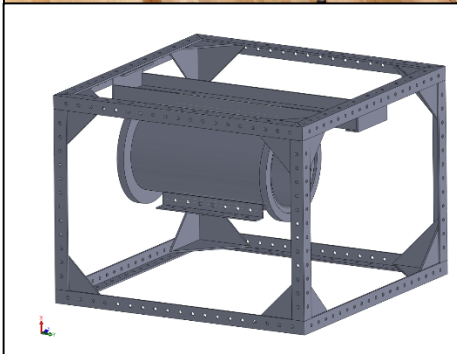
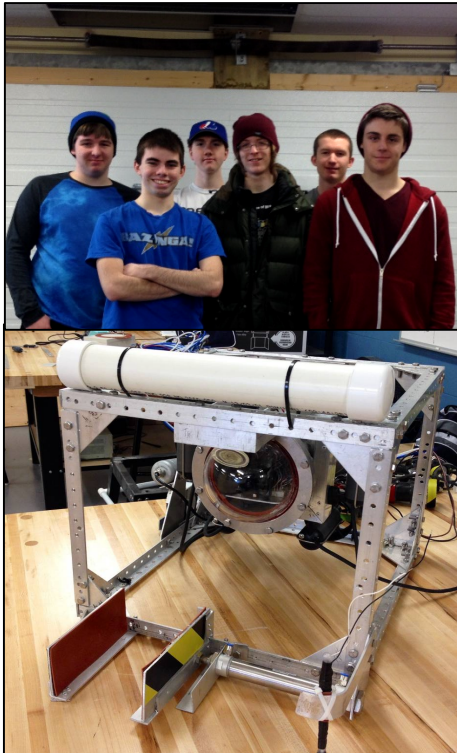


Maritime Underwater Solutions

Prince Andrew High School

Dartmouth, Nova Scotia, Canada



The Crew

- ❖ Alex Dewar
Chief Executive Officer
- ❖ Tyler Robinson
Chief Financial Officer
- ❖ Jerrett DeMan
Mechanical Engineer
- ❖ Charlie McKay
Marketing Director
- ❖ Jake Graham
Electrical Engineer
- ❖ Michael Pierrynowski
Assistant Mechanical Engineer

Special Features

- ❖ Xbox controller
- ❖ First Person view with three cameras simultaneously
- ❖ Ergonomic claw for multiple tasks
- ❖ Modular frame built for durability
- ❖ Frame and components easily removable

Safety Features

- ❖ 25 amp breaker
- ❖ Smooth edges
- ❖ Shrouds around motors
- ❖ Various warning stickers

The Product: The Silver Surfer

- ❖ Development Cost: \$6358.06
- ❖ Primary Structure: Aluminum
- ❖ 6 Axis control
- ❖ Three CMOS Cameras
- ❖ CAT6 communication cable for reduced interference