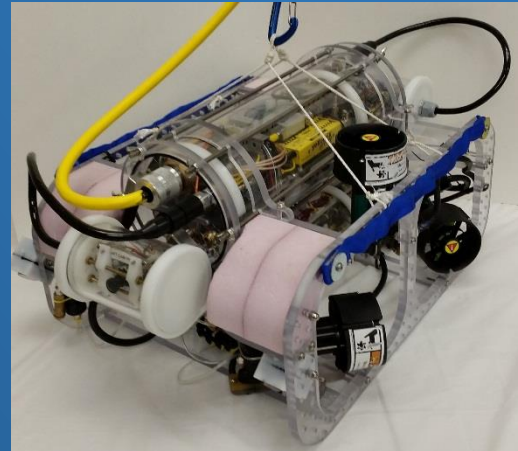




Memorial University of Newfoundland
 St. John's, Canada
 Distance Traveled to Competition: 0 km
 13th Year Participating in MATE Competition

ROV Specs

ROV Fair Market Value: \$25,000
 Primary Materials: Polycarbonate / HDPE
 Dimensions: 72cm (L) x 46cm (W) x 45cm (H)
 Weight: 47 lbs



OLD POLINA

NAMED AFTER AN TRADITIONAL NEWFOUNDLAND FOLK SONG

Safety Features:

- Pre-Dive checklist incorporated into control software
- All thruster contained within drive skid
- Circuit breaker installed in topsides control
- Software kill-switch which disables all moving components
- Safety labels on all moving components
- Soft handles for easy deployment and recovery

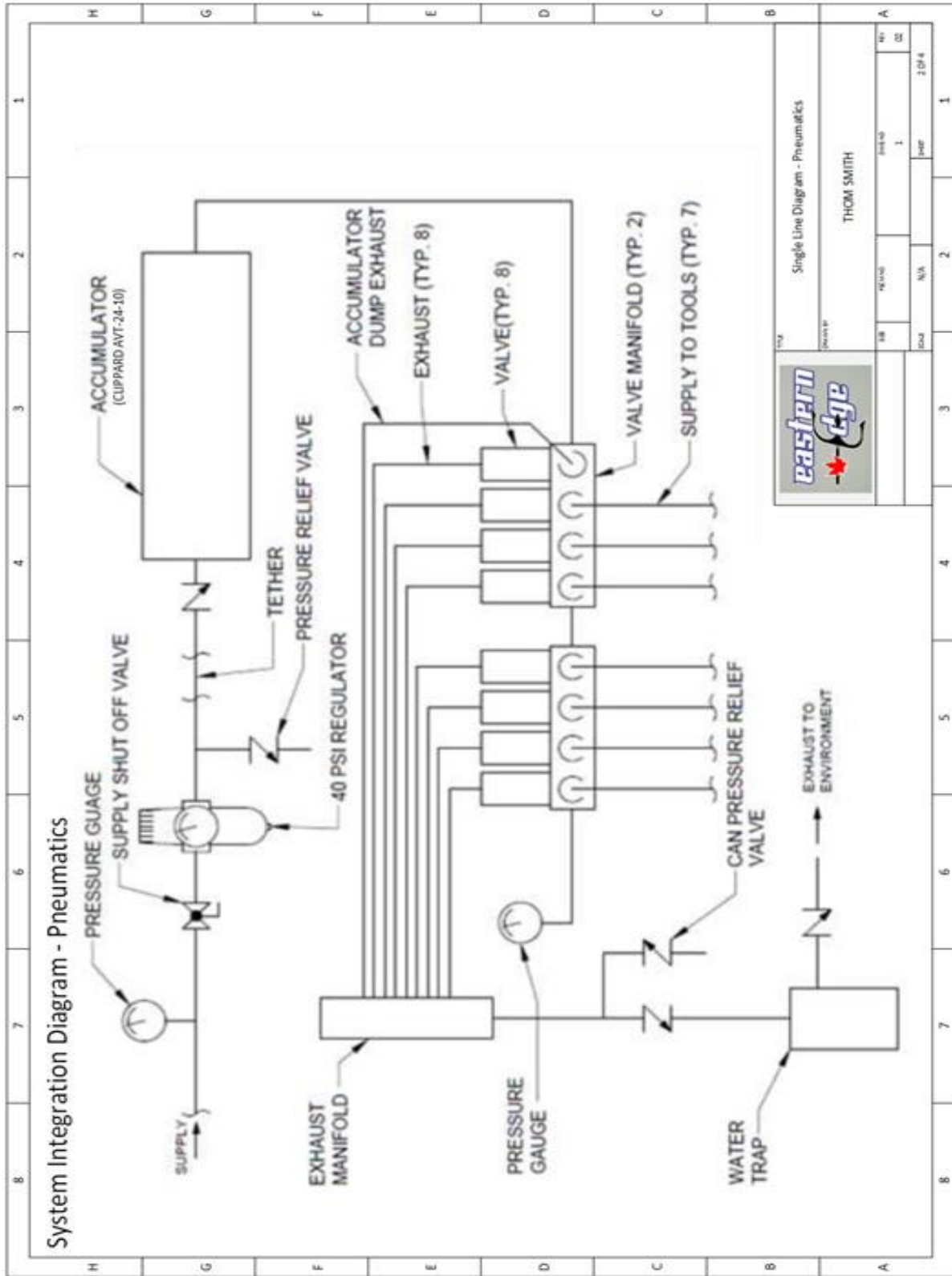
Safety Features:

- Redesigned for high maneuverability
- Able to be piloted bi-directionally
- Modular design with interchangeable tooling skids for different demos
- Capable of high resolution video streaming



Name	Position	Education	Career Aspiration	Returning Member?
Kyle Doody	CEO	4th Year Mechanical Engineering	Engineering Management	Returning
Kaitlin Quinlan	CTO – Electrical	5th Year Electrical Engineering	Electrical Engineer	Returning
Calvert Pratt	CTO – Software	3rd Year Computer Engineering	Computer Engineer	Returning
Nathan Ash	CTO – Mechanical	4th Year Mechanical Engineering	Mechanical Engineer	Returning
Thom Smith	CTO – Fabrication	3rd Year Bachelors of Technology	Underwater Vehicle Tech.	Returning
Anthony Randall	COO	4th Year Electrical Engineering	Electrical Engineer	New
Erin Mathews	CFO	2nd Year Naval Engineering	Marine Engineer	Returning
Petros Mathioudakis	Pilot/Tooling Design	2nd Year ROV Technician	ROV Pilot/Technician	Returning
Will Glatt	Structural Design	3rd Year Bachelors of Technology	Underwater Vehicle Tech.	Returning
Calvin Gregory	Structural Design	3rd Year Mechanical Engineering	Mechatronics Engineer	Returning
Nick Martin	Structural Design	4th Year Mechanical Engineering	Mechanical Engineer	New
Racheal Seymour	Electrical Design	3rd Year Electrical Engineering	Electrical Engineer	New
Whymarrh Whitby	Software Developer	3rd Year Computer Science	Software Design	Returning
Connor Whalen	Software Developer	2nd Year Computer Engineering	Computer Engineer	Returning
Stephen Whiffen	Tooling Design	2nd Year ROV Technician	ROV Technician	Returning
Jeremy Coleman	Tooling Design	2nd Year ROV Technician	ROV Technician	Returning
Nicholas Wittering	Tooling Design	2nd Year ROV Technician	ROV Technician	New
Alan Li	Tooling Design	3rd Year Mechanical Engineering	Mechanical Engineer	New
Adam Tremblett	Tooling Design	3rd Year Mechanical Engineering	Mechanical Engineer	New
Sarah White	Tooling Design	1st Year Undeclared Engineering	Marine Engineer	New
Jennifer Roche	Tooling Design	1st Year ROV Technician	ROV Technician	New
Coralie Brown	Tooling Design	2nd Year ROV Technician	ROV Technician	Returning
Christina Hamyln	Graphic Design	3rd Year Bachelor of Visual Arts	Graphic Artist	Returning
Christian Samson	Safety Officer	1st Year ROV Technician	AUV Technologist	New

Pneumatic SID



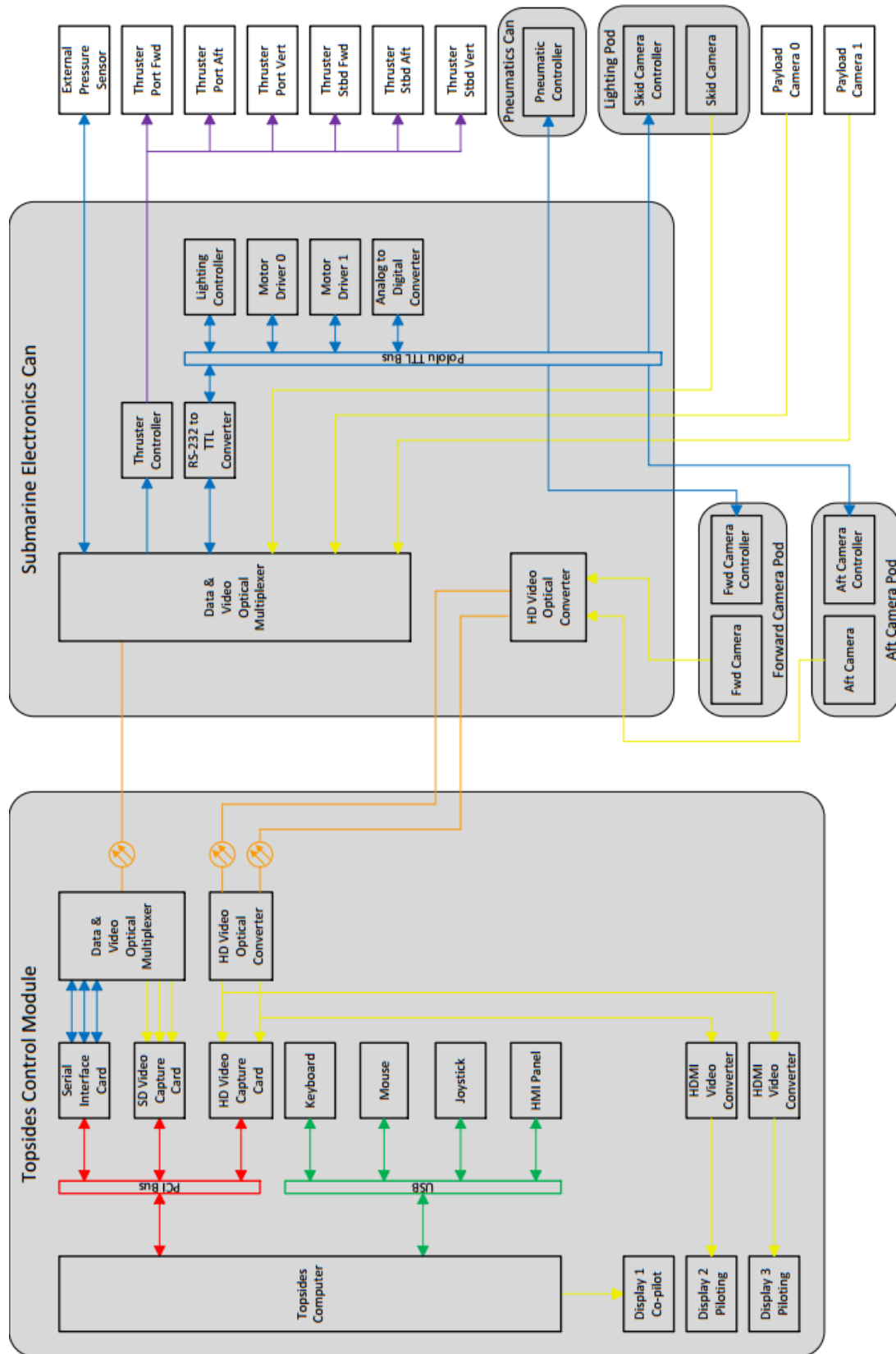
Single Line Diagram - Pneumatics

THOM SMITH

1 OF 4

eastern edge

Communications SID



Power SID

