

Seawolf Underwater Robotics Engineering (S.U.R.E)



Information

Team Nickname: Seawolves

Education Institution: Copiah-Lincoln Community College

Location: Wesson, MS, U.S.A.

Distance Travelled to Competition: 398 miles

ROV Name: Seawolf V

Total Cost: \$6,940

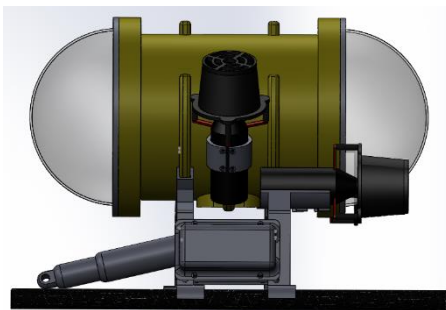
Total Student Hours Spent on ROV: 495 hours

Safety Features: audible thruster warnings, auto shutdown at loss of communication, power supply indicators

Special Features: single cable tether with strain reliefs, highly portable 75% HDPE design

Dimensions: 18"x16.2"x13.8"

History of MATE Participation: Since 2012 (fifth year competing)



Presenting the Seawolf V

S.U.R.E. Personnel

Lauren Westrope
(president/CEO, drafting)
Thomas Westrope
(pilot, precision machining)
Phillip Dinicola II (drafting)
Colby Phillips
(safety manager, drafting)
Charles Miles
(engineering, electronics)
Reginald King (co-pilot,
electronics engineering)
Elton Gosber (fundraising)
Gage Pinson (CFO, engineering)
Blake Pryor (technical writer)

Seawolves Mentors:

Dr. Kevin McKone
(Physics/Engineering)
Mr. Wes Burkett (Drafting)
Mr. Carey Williamson
(Electronics)

Special Thanks:

Howard Johnson

Sponsors:

Georgia-Pacific, Monticello Mill
Copiah-Lincoln
Community College
Seatrepid



Georgia-Pacific