



# MANTA

# SPEC SHEET

Epoxsea, The Hong Kong University of Science and Technology (Return)

## ROV SPECIFICATIONS



Design and Build Time: > **3500 hours**

Flight Time: > **40 hours**



### DIMENSION:

Length: 565.68 mm  
Width: 558 mm  
Height: 342 mm



### MASS:

ROV Mass: 19.8 kg  
Tether Mass: 3.8 kg



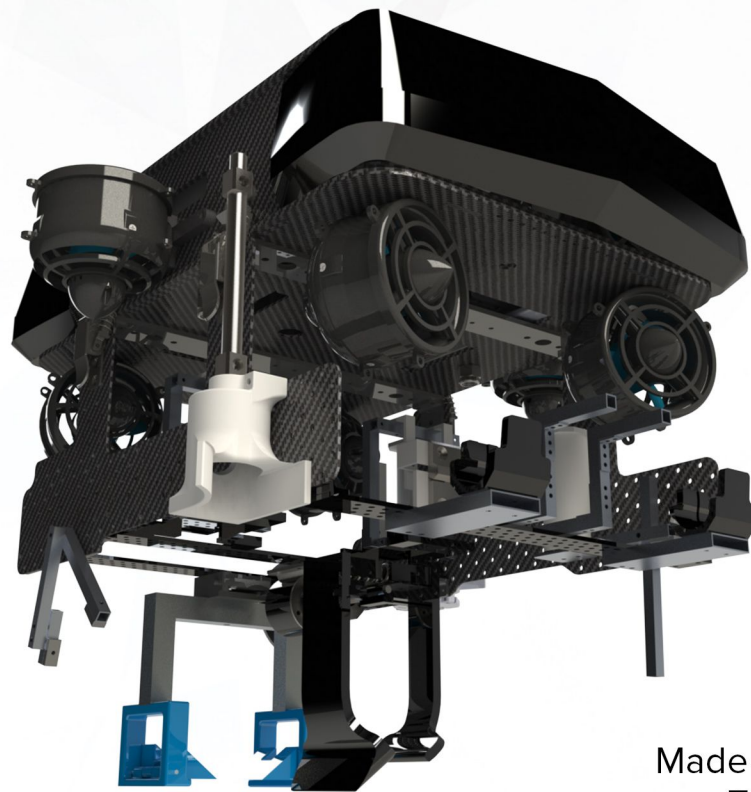
### SAFETY FEATURES:

Shrouded Thrusters  
Strain Relief



### SPECIAL FEATURES:

HD Serial Digital Camera  
Modular Hardware Architecture  
Interchangeable Manipulator Mount



Total Cost: **USD 5941.80** \$

Distance to Tennessee: **13,328.45 km** 🚢

### SENSOR:

pH and Temperature Probe  
Inertial Measurement Unit  
Pressure Sensor



### ELECTRONIC SYSTEM:

Modular Electronics Setup  
Standardized Electronics Modules



### SOFTWARE SYSTEM:

CAN Bus Integration  
ROS Kinetic



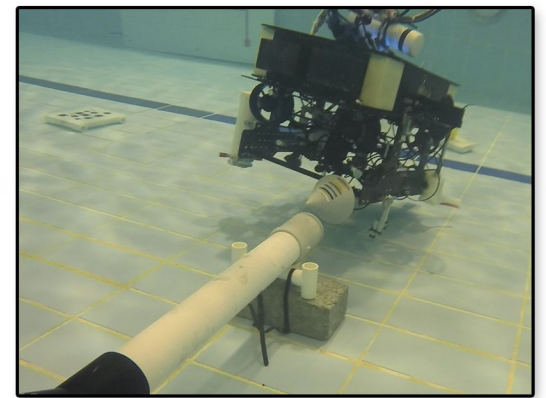
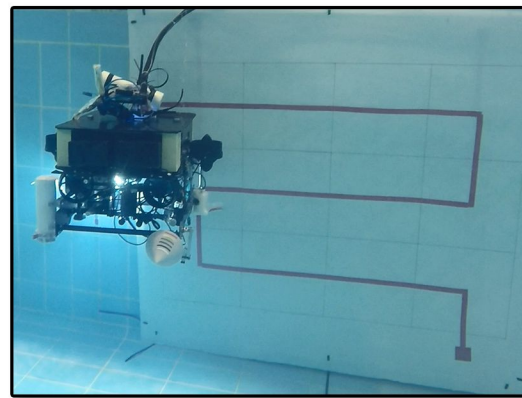
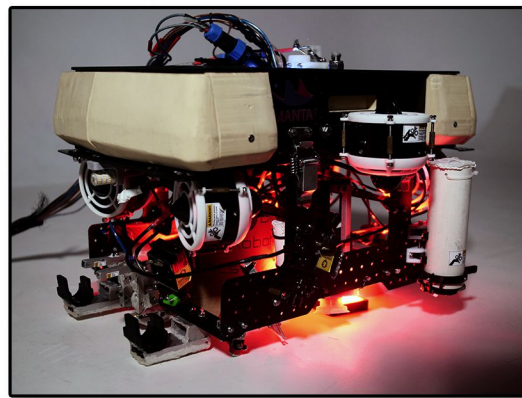
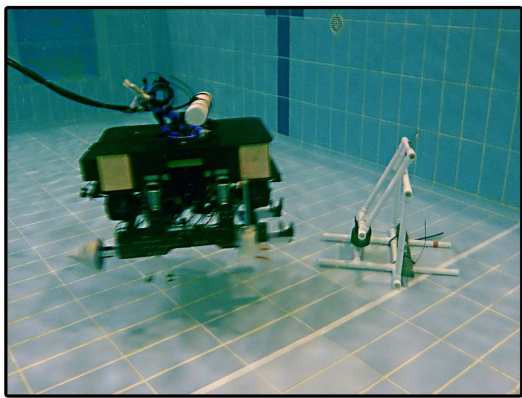
### BUOYANCY:

R-3318 Buoyancy Foam



### FRAMEWORK:

Made from Carbon Fiber Reinforced Polymer  
Top Tier Houses Electronic Components  
Bottom Tier Houses Custom Designed Manipulators

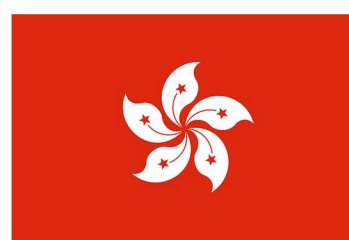


## COMPANY INFORMATION



## TEAM 9th Year Participants

David Sun	Year 2   Return	CEO, Software Engineer
Yat Wing Cheung	Year 2   Return	CFO, Electronics Engineer
Amanda Alodia Guito	Year 1   New	CTO, Software Engineer
Tsz Ho Wong	Year 2   Return	Mechanical Leader
Calvin Chee Hau Cheng	Year 3   Return	Electronics Leader
Riwandy	Year 2   Return	Software Leader
Chih-An Chou	Year 1   New	Media Officer, Mechanical Engineer
Bryan Suryaraso Gani	Year 2   New	Mechanical Engineer
Jung Eun Ahn	Year 2   New	Cleaning Officer, Mechanical Engineer
Chi Shing Yeung	Year 2   New	Mechanical Engineer
Kai Ching Chong	Year 1   New	Mechanical Engineer
Yi-Hsuan Ho	Year 2   New	Electronics Engineer
Ting-Kai Cheng	Year 1   New	Safety Officer, Electronics Engineer
Cheuk Chee Chan	Year 1   New	Media Officer, Electronics Engineer
Jozsef Maximillian Adiguna	Year 1   New	Electronics Engineer
Kelvin Leonardo Hartono	Year 1   New	Software Engineer
Pak Long Pang	Year 1   New	Software Engineer
Clyde Wesley Ang	Year 2   New	Software Engineer



Home State: Hong Kong

